

MC-51

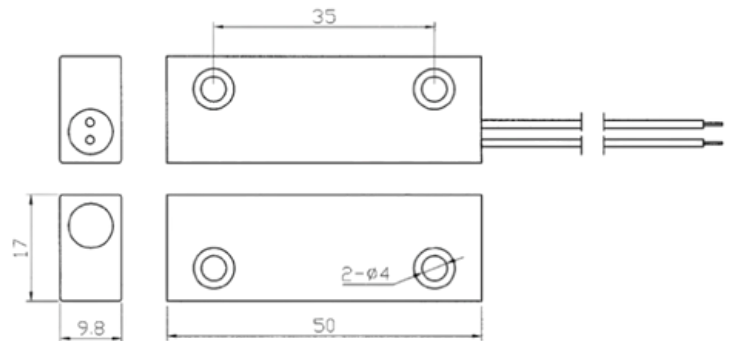
INTRODUCTION

Metal Surface Mount Magnetic Door Contact Switch: This switch features durable metal magnetic contacts, making it ideal for commercial and industrial applications. Included with the switch are screws for installation. It comes with standard 18-inch, 22AWG leads, and options for 2-conductor jacket cable and armored cable are available upon request. Additionally, longer lead lengths can be provided, along with options for resistors, diodes, and supervisory loops, also available upon request.



SALIENT FEATURES

Model No.	MC-51
Closed Gap	1.5 inch
Transportation Package	Box
Loop Type	Closed, Open, Closed & Open, Dpdt
Maximum Contact Rating	7.5 w
Iron Type	Aluminium



Loop Type	Reed Form	Closed Gap (Inch (mm))	Maximum Initial Contact Resistance (Ohm)	Maximum Contact Rating (W)	Maximum Switching Voltage (VDC/VAC)	Maximum Switching Current (A)
Closed	N/O	1.5 (38)	0.150	7.5	100	0.4
Open	N/C	1.25(32)	0.150	3	30	0.2
Closed&open	SPDT	1.25(32)	0.150	3	30	0.2
DPDT	2SPDT	1.25(32)	0.150	3	30	0.2

